

FPBS 52500 Series

FLAME PROOF CONTROL STATION



Mechanical Data

Material : Aluminium LM6
 Weight : FPBS - 52500 : 11.0 Kg
 FPBS - 52533 : 11.0 Kg
 IP Protection : IP 65 as per IS 2147/1962 / IEC 60529 / 1989
 Finish : Anti corrosive Epoxy powder coated
 Cable Entry : 2 x 3/4 " ET
 Gasket : Neoprene
 Hardware : Stainless Steel
 Canopy : Optional

Electrical Data

Wiring : PVC Insulated 1.5 sq.mm Stranded Copper
 Terminals : Refer Chart Below
 Earthing : External : 2 Nos - M6
 Internal : 1 No - M5

Description

Where several control & indication functions in a hazardous area are required to be operated from one location, they can all be mounted in an Explosion proof Control Station.

Series 52500 Control Stations are available with up to three separate enclosures for housing various control units and a separate integral terminal chamber. The clipon type terminals provided in the chamber are pre-wired to the control units through sealed cable bushes. A wide variety of control units can be selected for mounting into the enclosures. The control stations are also fitted with high quality neoprene gaskets to ensure weather proof protection.

GA Drawing

To View the GA Drawing click on the Catalogue No.

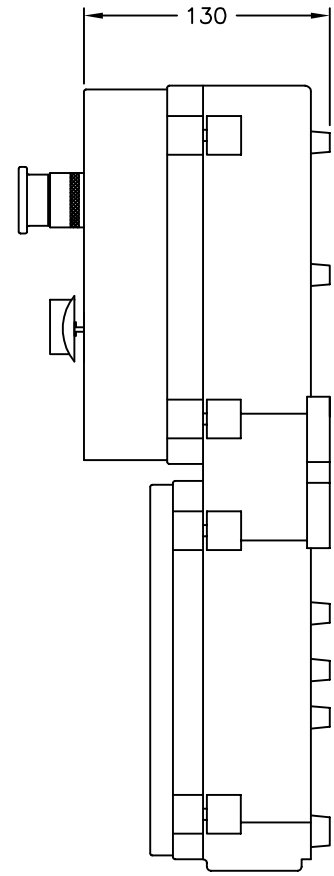
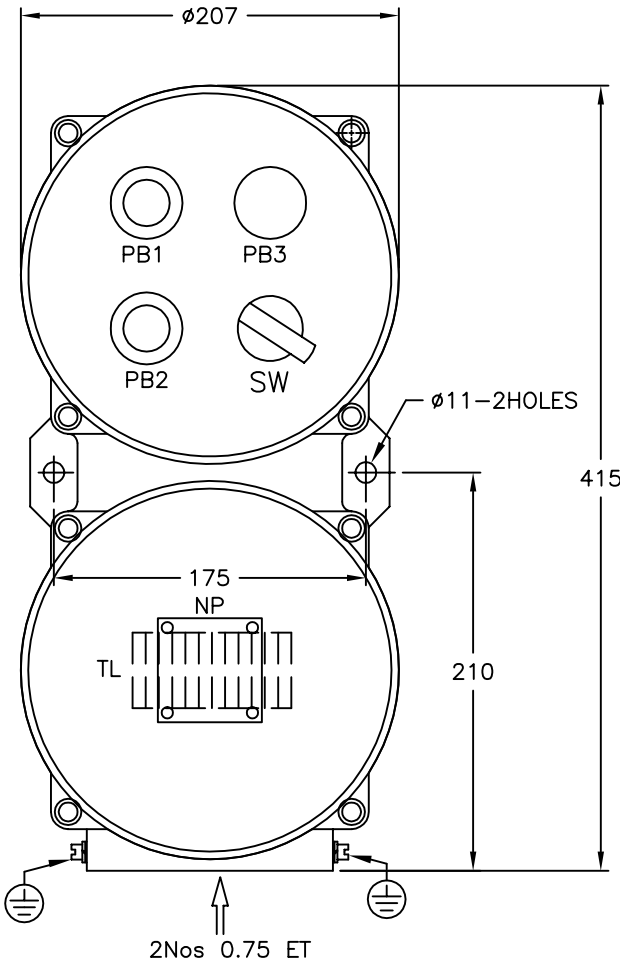
FPBS 52500

FPBS 52533

Type of protection	Flame Proof - Exd
Area Classification	Zone 1 & 2
Gas Groups	Group I, II A ,II B, IIC
Apparatus Standard	IS-2148:2004(IEC 60079-1/2001)
CIMFR Certificate No.	FPBS 52500 :CIMFR/TC/SR/394 FPBS 52533 :CIMFR/TC/SR/394
Approvals	CCE,BIS

Option	Description
1	6 nos. push buttons
2	6 nos. Indicating Lamps
3	4 nos. Selector switches
4	1 no. ammeter / Voltmeter + 1 no. selector switch
5	1 no. Ammeter / Voltmeter + 2 nos. Push Buttons
6	1 no. Ammeter / Voltmeter + 1 no. push button + 1 no. Indicating Lamp
7	1 no. Ammeter / Voltmeter + 2 nos. Push Buttons + 1 no. Indicating Lamp
8	3 nos. Push buttons + 3 nos. Indicating Lamps
9	3 nos. Push buttons + 2 nos. Indicating Lamps + 1 . Selector switch
10	4 nos. Push buttons + 2 nos. Selector switch
11	2 nos. Push buttons + 3 nos. Indicating Lamps + 1 no. Selector switch
12	3 nos. Indicating Lamps + 2 nos. Selector Switch

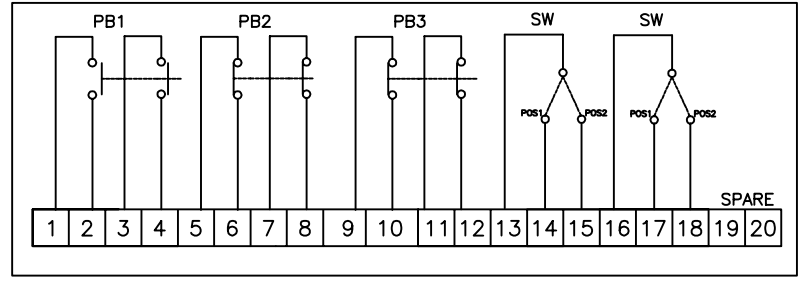
Cat No.	Max. no of Clipon Terminals				Weight (Kgs)	Equipments	Options							
	2.5 mm ²	4 mm ²	10 mm ²	16 mm ²			1	2	3	4	5	6	7	8
FPBS 52500							•	•	•	•	•	•	•	•
FPBS 52533	18	18	-	-	11.0 appr.	2								•



- NOTES:**
- PB1 - START PUSH BUTTON (GREEN) (2NO)
 - PB2 - STOP PUSH BUTTON (RED) (2NC)
 - PB3 - EMERGENCY STOP PUSH BUTTON (RED) (2NC) WITH MUSHROOM HEAD
ELEMENT RATING : 10A, 240V AC
 - TL - 20Nos 2.5Sq.mm CLIP ON TYPE TERMINALS (ELMEX MAKE)
 - SW - 16A, 240V AC, DP, 2WAY SELECTOR SWITCH
 - NP -NAME & WARNING PLATE (SS)
 - TP -TAGPLATE (PERSPEX)
 - EARTHING -2Nos. EXTERNAL (M6) & 1No. INTERNAL (M5)
 - GASKET - NEOPRENE

2Nos 0.75 ET

WIRING DIAGRAM



ALL DIMENSIONS ARE IN MM.

	CUSTOMER:	TITLE : EXPLOSIONPROOF CONTROL STATION				
	CONSULTANT :	CAT NO : FPBS-52500				
	PROJECT:	CLASSIFICATION: Exd IIB IP65 ZONE 1&2 T6				
	PO. NO.	WT: 11Kgs. APPROX.	MATL: AL. LM-6	ITEM No.: QTY.:		
	FINISH : EPOXY POWDER COATED LIGHT GREY (SHADE - 631 OF IS:5)	TOLERANCE: ±5mm.		FOR INFORMATION ONLY		
CMRI :CMRS/TC/2314 DT:03.03.93	IS :13346/04 (IEC:60079-0/00)	SCALE N.T.S				
CCE :R1(1)136/BALIGA/12-XVIII DT:24.12.2004	IS :2148/04(IEC:60079-1/01)	NAME DATE				
BIS :CM/L-0364341	IS :12063/87 (IEC:60529/89)	REV-1	REV			
		REV-2	SHEET 1 OF 1			
Baliga Lighting Equipments Private Limited, KOVILAMBAKKAM,CHENNAI-600117,INDIA.		DRN	S.S	13.03.09	DRG. NO.	REV
		CHKD			QE52500001	0
		APPD				

केन्द्रीय खनन एवं ईंधन अनुसंधान संस्थान

(वैज्ञानिक तथा औद्योगिक अनुसंधान परिषद)
बरवा रोड, धनबाद - 826015, झारखण्ड (भारत)

ADDITIONAL FIRST COPY



CENTRAL INSTITUTE OF MINING AND FUEL RESEARCH

Formerly : Central Mining Research Institute
(COUNCIL OF SCIENTIFIC & INDUSTRIAL RESEARCH)
BARWA ROAD, DHANBAD - 826015, JHARKHAND (INDIA)

REGISTERED POST/COURIER SERVICE

No. CIMFR/TC/SR/ 394
I.D. No. 993/07

Dated: 11th August, 2008
CODE NO. FLP/221B/08

To,
M/s. BALIGA LIGHTING EQUIPMENTS PRIVATE LIMITED,
389, Medavakkam Road,
Kovilambakkam,
Chennai- 600 117 (India)

Sub: Supplementary Testing for **REVALIDATION** as per IS: 2148- 2004 (IEC 60079-1/2001) of your **Flameproof-cum-Weatherproof Control Station**, designated by **Cat. No. FPBS-52500** for application in Gas Groups: I, IIA & IIB atmospheres only.

- **Report on (REVALIDATION)**

Your Ref. No. CMRI/6/217/IIB, dated: 28/12/2007

Dear Sir,

Please find enclosed the **Supplementary Test Report** for **REVALIDATION** of the above sample as per IS: 2148-2004.

The above apparatus was earlier certified as per IS: 2148-1981 vide then CMRS Certificate No. CMRS/TC/2314, dated: 03.03.1993 mentioned in the schedule of this report.

Charges of **Rs. 14,034/-** (Rupees **Fourteen thousand thirty four**) only including applicable service charges involved towards the testing/issuing the schedule have been adjusted against the advance deposit made by you.

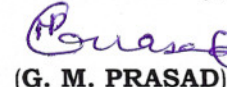
Kindly arrange to collect the sample within 90 days from the date of receipt of this letter failing which CIMFR would dispose off the sample by public auction without any further NOTICE to you.

Kindly acknowledge receipt.

Thanking you,

Encl.: As above
Supplementary Report for Revalidation in Triplicate
Copy to: 1. Head, Flame & Explosion Lab.
2. Bill Section.

Yours faithfully,


(G. M. PRASAD)

HEAD OF THE DEPARTMENT
TESTING CELL

1 of 6

फोन - निदेशक Director

Ph. : 0091 326 2202326/2203043

पी० ए० एक्स PAX

Ph. : 0091 326 2296027/2296028/2296029/2296010/2296013

फैक्स FAX

Ph. : 0091 326 2296019/2202429/2204339/2203150

e-mail : dcmrips@yahoo.co.in, dcmri@csir.res.in. Website : www.cmriindia.nic.in

कार्यालय के दिन : सोमवार से शुक्रवार तक **Working days : Monday to Friday**